

# INSTALLATION INSTRUCTIONS

## SERIES 487 CENTER GLAZED OFFICE PARTITIONS

### OHCC OVERHEAD CONCEALED CLOSER INSTALLATION



**IMPORTANT: READ THIS MANUAL THOROUGHLY BEFORE BEGINNING INSTALLATION.  
USE WITH YOUR 487 SERIES INSTALLATION MANUAL.**



---

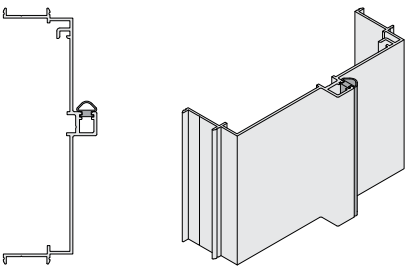
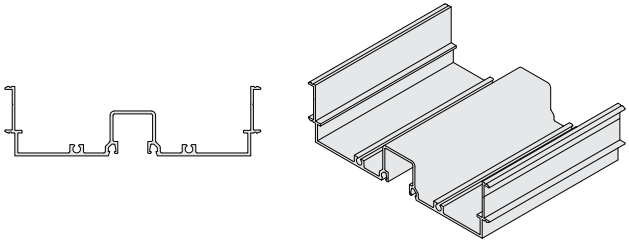
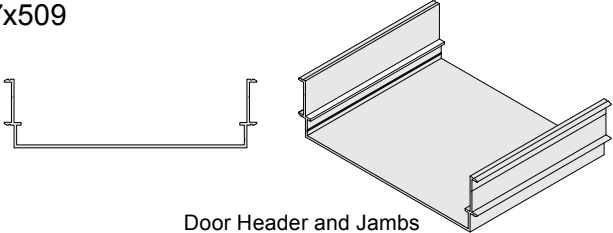
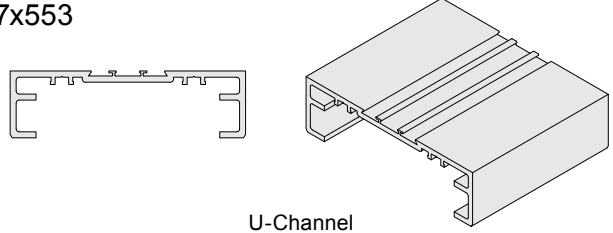
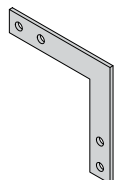
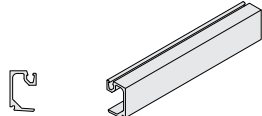
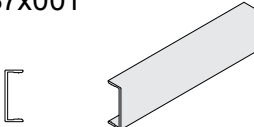
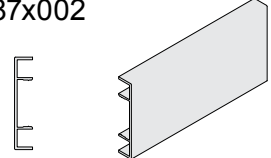
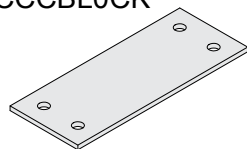

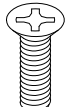

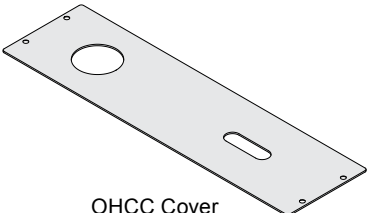
Phone: (800) 421-6144 • Fax: (800) 582-7501  
crlaurence.com • usalum.com • crl-arch.com

---

# TABLE OF CONTENTS

PARTS LIST .....	2
INTRODUCTION .....	3
CONFIGURATION OPTIONS .....	3
OHCC DOOR INSTALLATION .....	4
OHCC TRANSOM DOOR INSTALLATION .....	5
TRANSOM GLAZING .....	6
TRIM INSTALLATION .....	6
CLOSER COVER INSTALLATION .....	6

## PARTS LIST

<p>487x500</p>  <p>Door Jamb (Offset Pivot only)</p>		<p>487x501</p>  <p>Transom Header and Jamb</p>	
<p>487x509</p>  <p>Door Header and Jamb</p>		<p>487x553</p>  <p>U-Channel</p>	
<p>487C1</p>  <p>Corner Clip</p>	<p>M740</p>  <p>Transom Glass Stop</p>	<p>487x001</p>  <p>One Inch Trim Strip</p>	<p>487x002</p>  <p>Two Inch Trim Strip</p>
<p>OHCCCLOCK</p>  <p>OHCC Block (Factory Installed)</p>	 <p>#8-32 x 3/16" FH SMS (Install Cover)</p>	 <p>#10 x 3/8" FH SMS (Mount OHCC to U-Channel)</p>	<p>20061601</p>  <p>6 - 20 x 1/2" PHP</p>
<p>OHCCC0VER</p>  <p>OHCC Cover</p>			

# INTRODUCTION

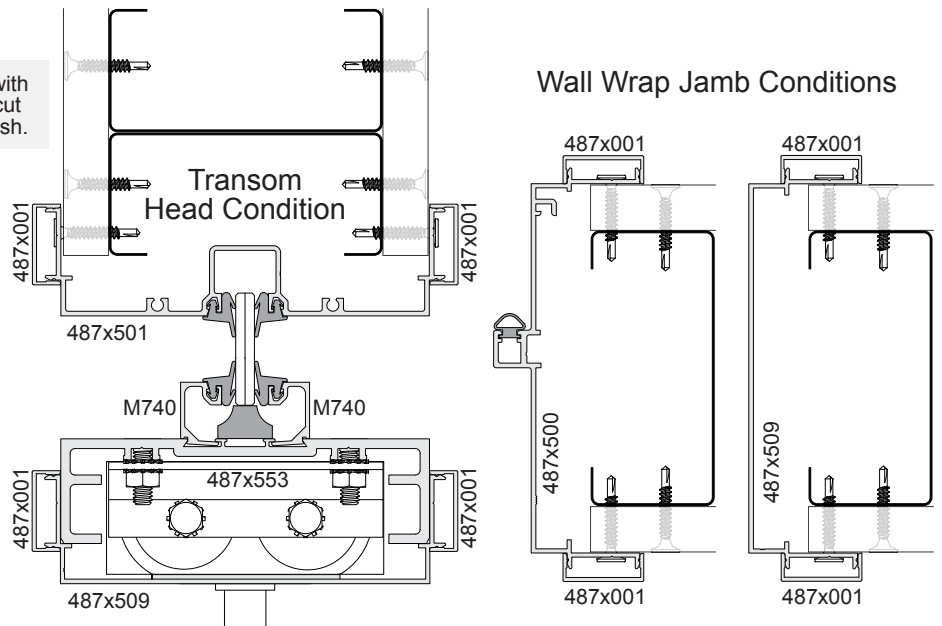
OHCC, Overhead Concealed Closer may be used with the 487 Series in the configurations shown below. This manual covers the basic OHCC installation process. Refer to the manuals for your particular closer model and 487 System for specifications and detailed instructions.

# CONFIGURATION OPTIONS

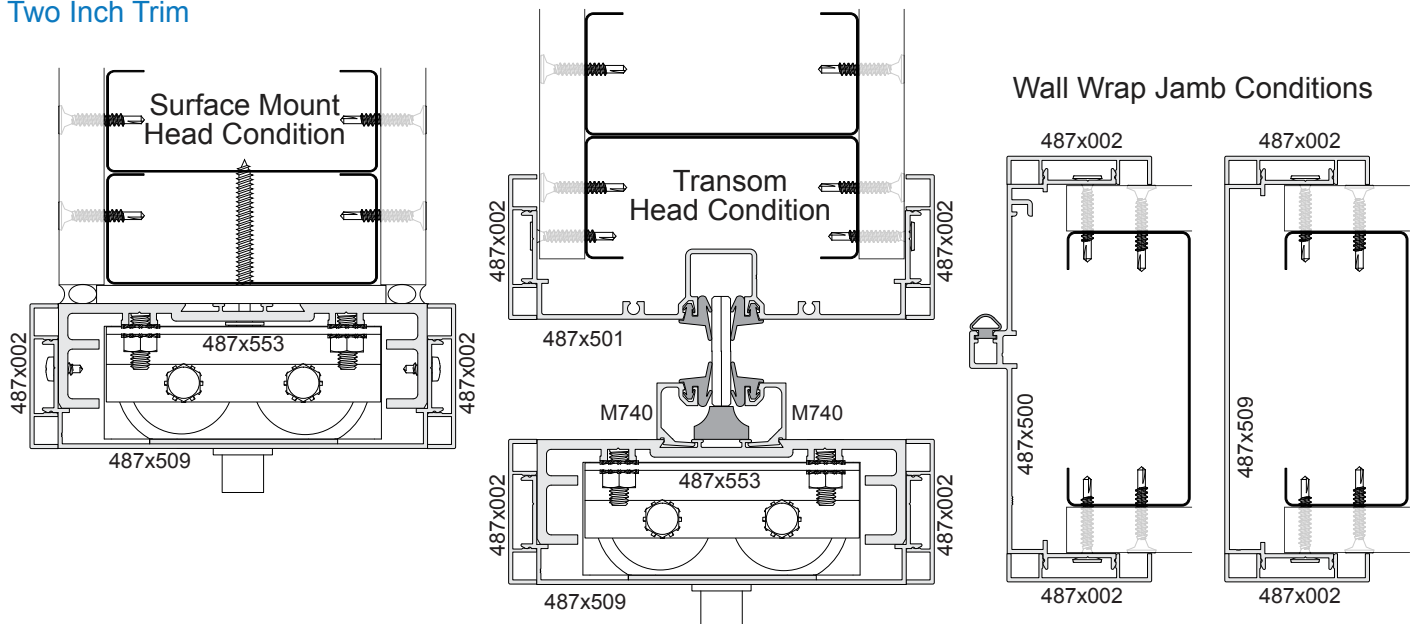
	Applications	Jamb Options	Trim Options
OHCC Center Pivot	Door (Surface Mount Header)	487x509	Two Inch Trim
	Transom Door	487x509	One or Two Inch Trim
OHCC Offset Arm Pivot	Door (Surface Mount Header)	487x500 or 487x509	Two Inch Trim
	Transom Door	487x500 or 487x509	One or Two Inch Trim

## One Inch Trim

NOTE: OHCC Center Pivot uses tabbed Jamb with slotted Header on strike side only. Pivot side is cut flush. OHCC Offset Pivot uses both sides cut flush.



## Two Inch Trim



# OHCC DOOR INSTALLATION

**NOTE:** For general reference only. Refer to your Shop Drawings and 487 Series Manual for detailed instructions before beginning.

- 1 Mount OHCC to 487x553 U-Channel.

**NOTE:** Typical mounting brackets shown. Follow instructions included with your closer.

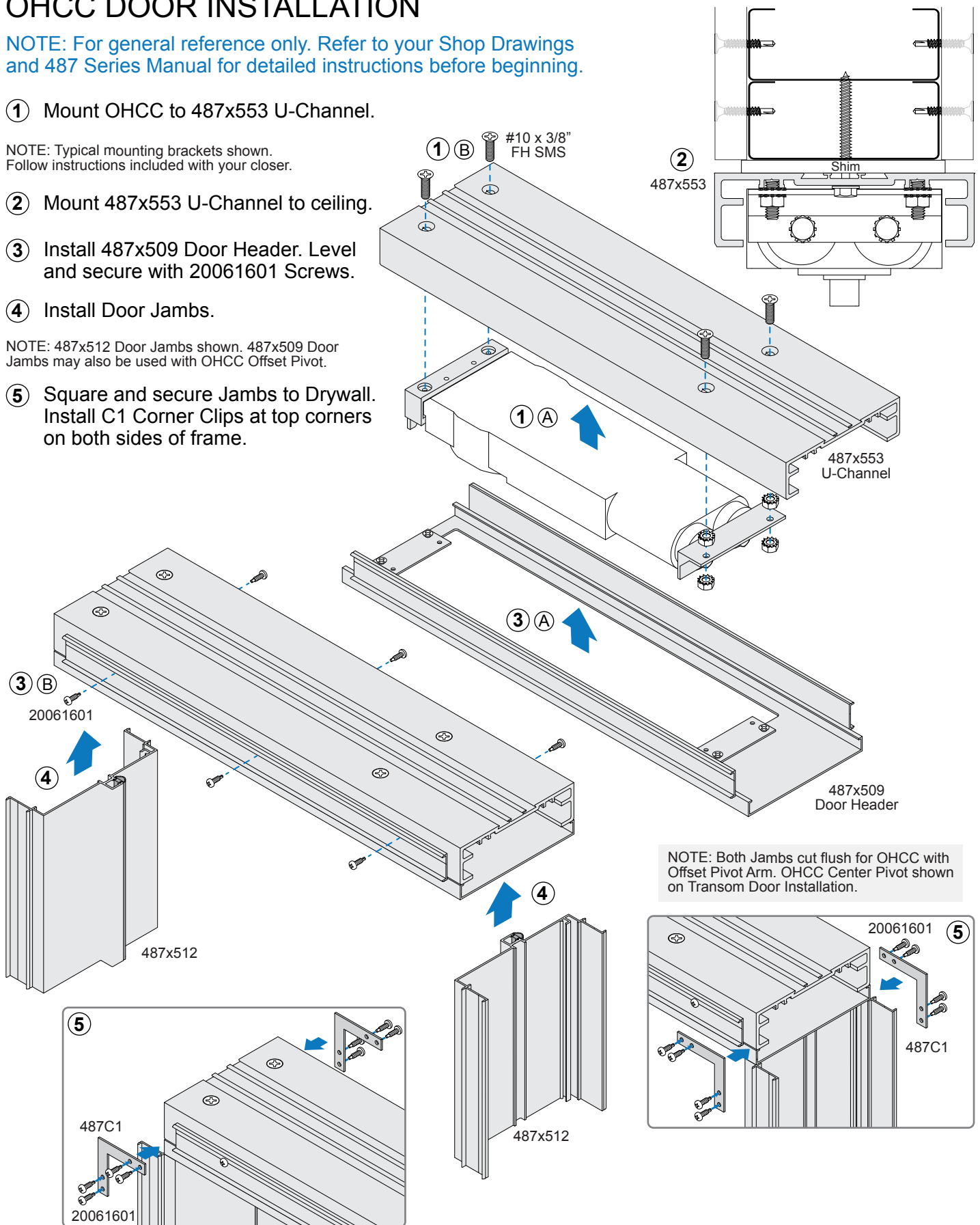
- 2 Mount 487x553 U-Channel to ceiling.

- 3 Install 487x509 Door Header. Level and secure with 20061601 Screws.

- 4 Install Door Jambs.

**NOTE:** 487x512 Door Jambs shown. 487x509 Door Jambs may also be used with OHCC Offset Pivot.

- 5 Square and secure Jambs to Drywall. Install C1 Corner Clips at top corners on both sides of frame.



# OHCC TRANSOM DOOR INSTALLATION

**NOTE:** For general reference only. Refer to your Shop Drawings and 487 Series Manual for detailed instructions before beginning.

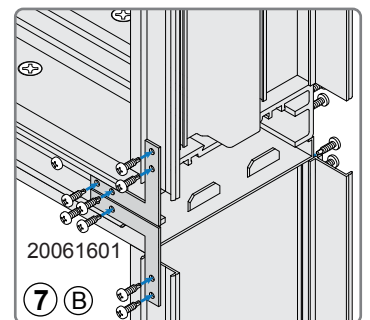
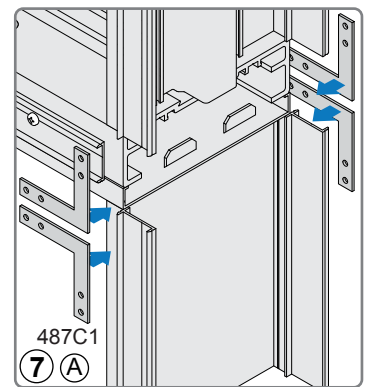
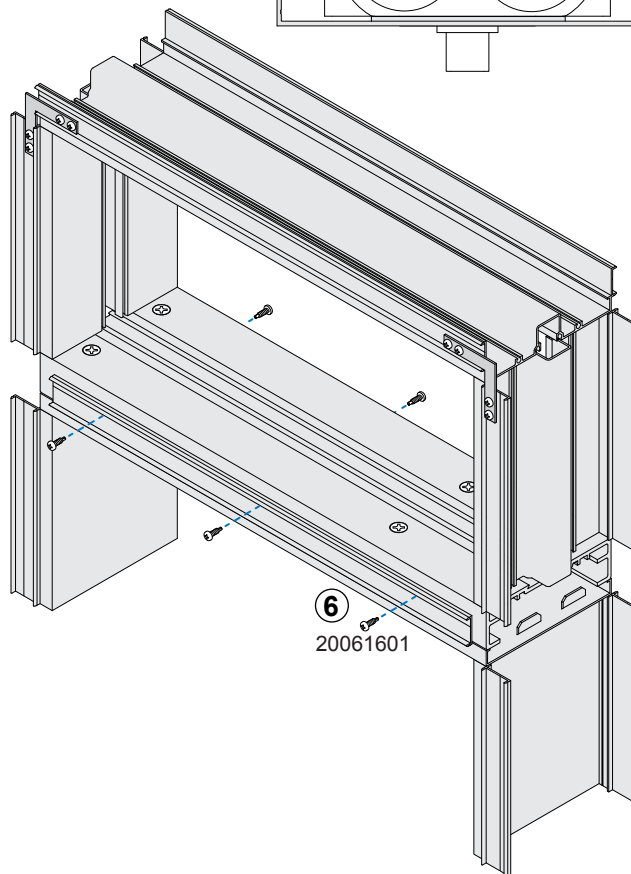
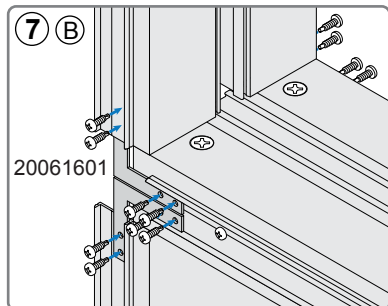
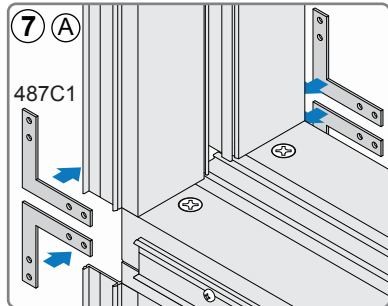
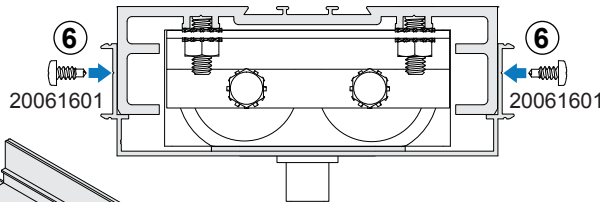
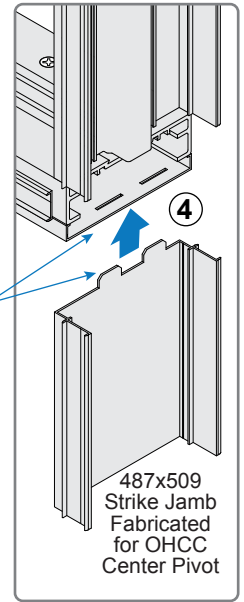
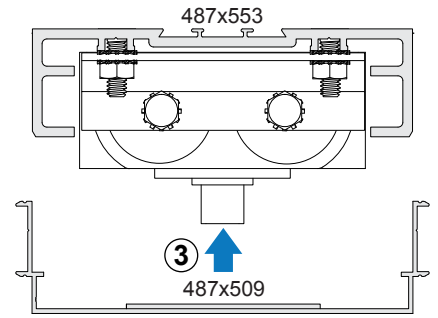
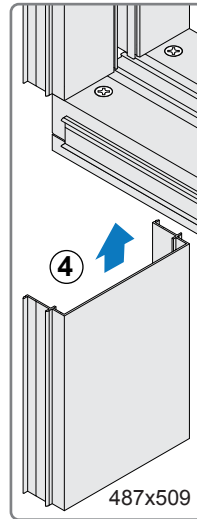
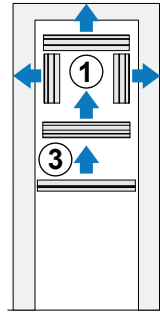
- ① Position Transom Header and Jamb in opening. Temporarily hold in place.
- ② Follow Step 1 on Page 4 to mount closer to 487x553 U-Channel.

**NOTE:** OHCC Center Pivot installation shown on this page with Door Header slotted and Jamb tabbed at Strike side. OHCC Offset Pivot shown on Page 4 with Door Installation.

- ③ Tape 487x509 Door Header to U-Channel and lift into place. Adjust to proper height. **Do not secure.**
- ④ Install 487x509 Door Jamb.
- ⑤ Square and secure Door Jamb and Transom Frame to Drywall.
- ⑥ Secure Door Header to U-Channel with 20061601 Screws.

- ⑦ Install C1 Corner Clips at corners on both sides of frame.

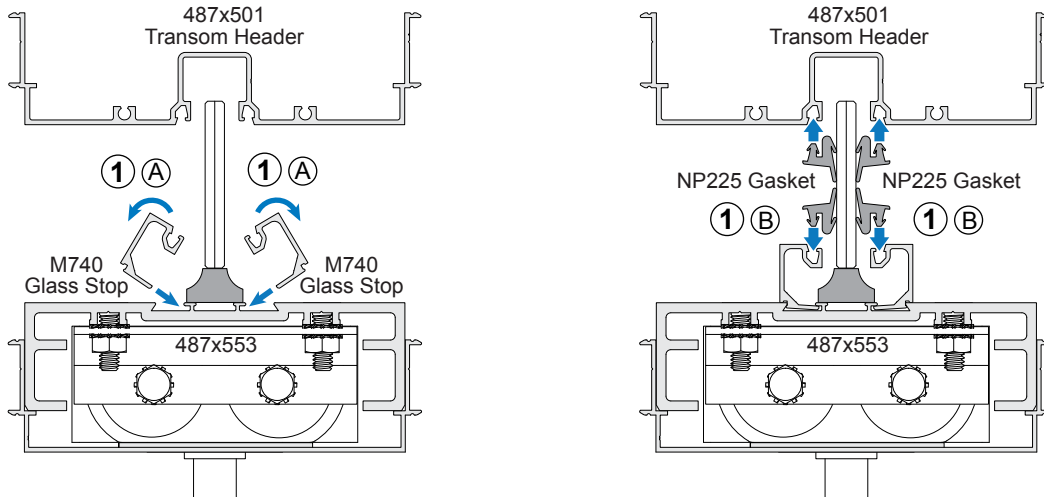
**NOTE:** Install Clips as you level and secure each section.



## TRANSOM GLAZING

**NOTE:** For general reference only. Refer to your 487 Series Manual for detailed instructions before beginning.

- 1 Install M740 Glass Stops and NP225 Gaskets when glazing transom.



## TRIM INSTALLATION

- 2 Refer to your 487 Series Manual to notch and install trim strips.

**NOTE:** 487x001 One Inch Trim used with OHCC Transom Door Installation only.  
487x002 Two Inch Trim used with OHCC Door and OHCC Transom Door Installations.

## CLOSER COVER INSTALLATION

- 3 Install OHCCOVER Closer Cover.

Match holes in Closer Cover with holes in OHCCBLOCK Mounting Block. Secure with (4) #8-32 FH SMS.

